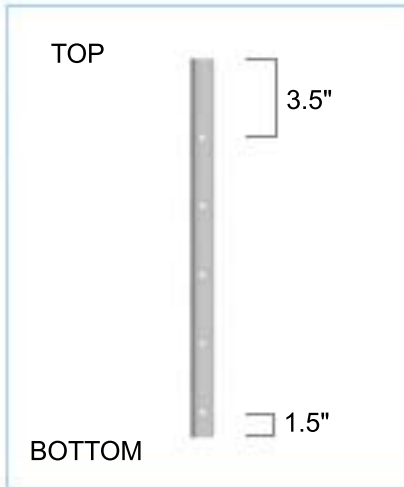
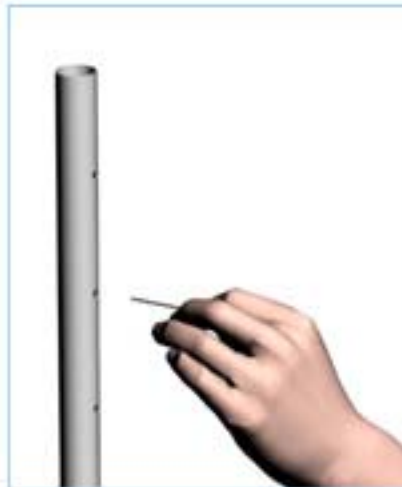


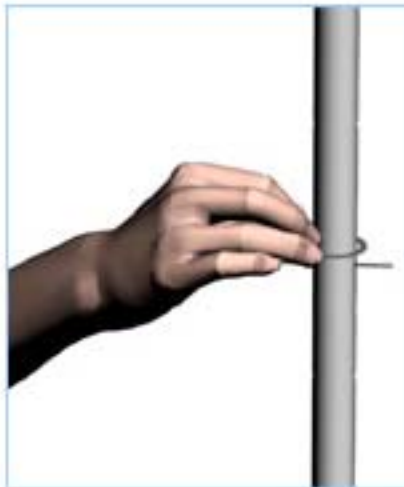
DVD Display Assembly



1. Insert bottom of pole into base.



2. Insert pin to locate tier.



3. Slide washer to pin.



4. Place tier on washer.



5. Insert sign holder.

