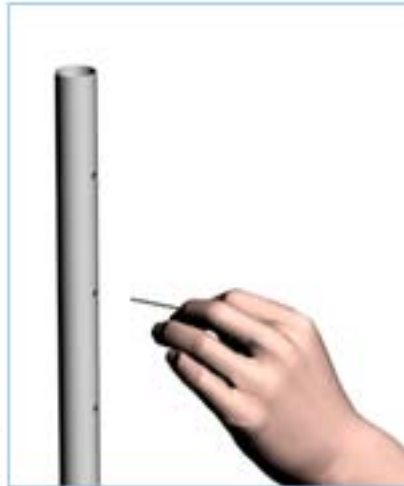


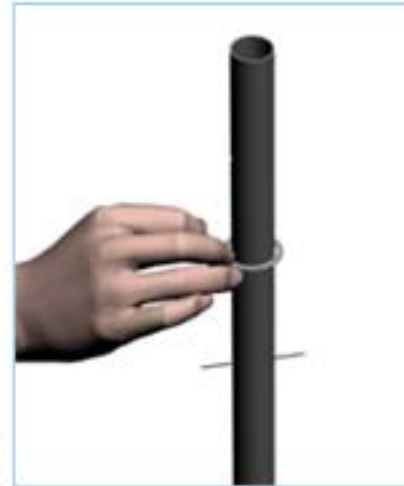
Typical Floor Display Assembly



1. Insert the pole to the base



2. Insert pin to locate tier.



3. Slide washer to pin.



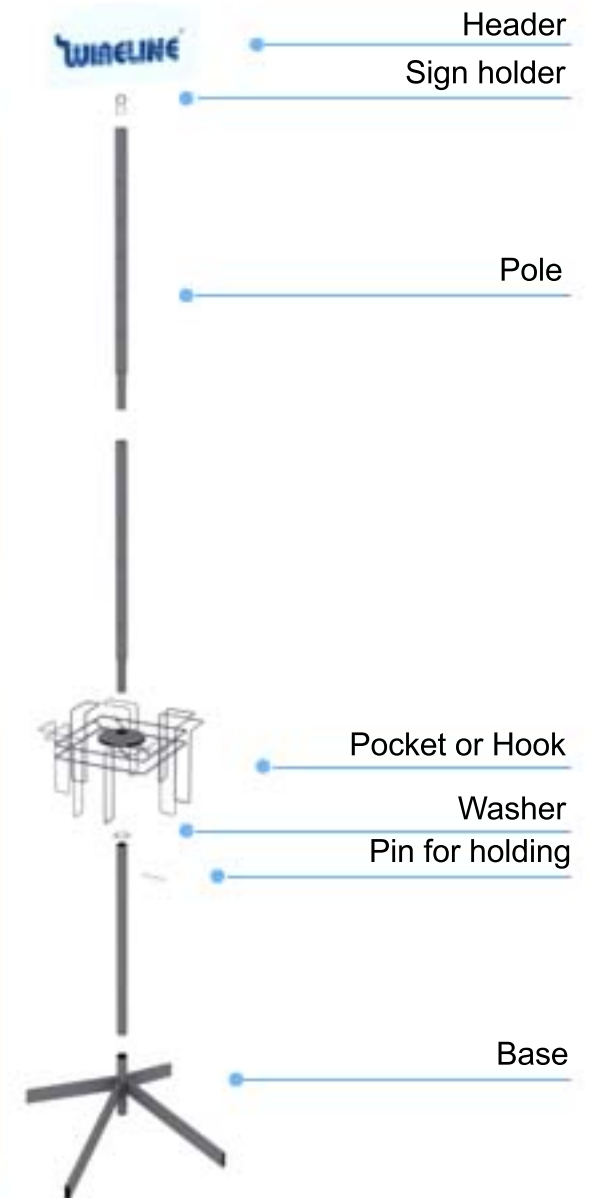
4. Place tier on washer.



5. Repeat for all tiers.



6. Insert sign holder.



WIRELINÉ